



WALTER A. TILLIT, JR., P.E.

tilteco@aol.com
FL P.E. License No. 44167
FL E.B. License No. 0006719

PRODUCT EVALUATION REPORT

REPORT NO.: 15-0407.15

DATE: April 7, 2015

PRODUCT CATEGORY: Exteriors Doors

PRODUCT SUB-CATEGORY: Swinging Exterior Door Assemblies

PRODUCT NAME: DOUBLE & SINGLE SERIES LS18
OUTSWING COMMERCIAL GALVANNEAL
OR STAINLESS STEEL FRAME FLUSH,
EMBOSSSED & GLAZED ASSEMBLIES.

SUBMITTED BY: Daybar Industries LTD
50 West Drive, Brampton,
On Canada, L6T 2J4

1. PURPOSE OF EVALUATION:

This is a Product Evaluation Report issued by **Walter A. Tillit, Jr., P.E.** (System ID # 1906) to the **Daybar Industries LTD, Rule Chapter No. 61G20-3, Method 1D of the Florida Department of Business and Professional Regulation.**

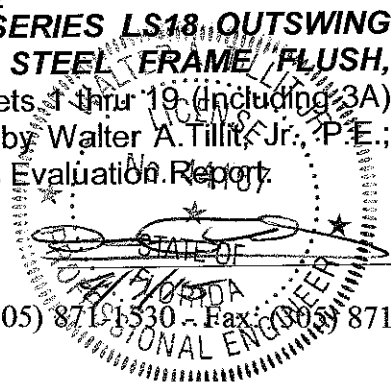
This product is being issued an Evaluation Report as described herein, and has been verified for compliance in accordance with the **2014 fifth** edition of the Florida Building Code, and to verify that the product is for the purpose intended at least equivalent to that required by the Code.

This Product Evaluation Report shall be subject to review and revision in case of a Building Code change that may affect its limitations and conditions.

2. EVIDENCE SUBMITTED:

2.1. PRODUCT EVALUATION DOCUMENT (P.E.D.):

Drawing No 15-052, titled "**DOUBLE & SINGLE SERIES LS18, OUTSWING COMMERCIAL GALVANNEAL OR STAINLESS STEEL FRAME FLUSH, EMBOSSSED & GLAZED ASSEMBLIES -L.M**", sheets 1 thru 19 (including 3A) of 19, prepared by Tilteco, Inc.; signed and sealed by **Walter A. Tillit, Jr., P.E.**; dated **03/27/15**. This drawing is an integral part of this Evaluation Report.



2.2. TEST REPORTS:

Large missile impact and cyclic loading under Florida TAS 201 and 203 Protocols, as per section 1626 of the Florida Building Code. Uniform Static loads in accordance with and Protocol TAS 202. Test reports prepared by Hurricane Test Lab, Report No. **0279-0719-03** signed and sealed by Vinu Abraham, P.E. dated July 16, 2003.

Tensile Test Report No. **4BM-144** by QMETALLURGICAL INC., dated March 2, 2004, 2011, signed and sealed by Frank Grate, P.E.

2.3. STRUCTURAL ENGINEERING CALCULATIONS:

On Exterior Door for maximum anchor spacing vs. design wind load and door span based on rational and comparative analysis, and in accordance with section **1616** of the Florida Building Code. Calculations prepared by Tilteco, Inc., dated March 16, 2012, signed and sealed by Walter A. Tillit, Jr., P.E.

3. MISSILE IMPACT RESISTANCE:

Large missile impact under section 1626 of the Florida Building Code, as per Protocol TAS 201.

4. WIND LOADS RESISTANCE:

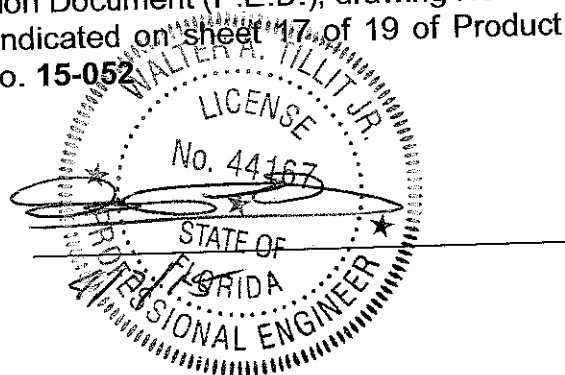
Exterior Door has been verified to sustain wind pressures. Maximum Door Dimensions and ASD Design Pressure rating shall be as indicated on sheets 2, 3 and 3A of 19 of Product Evaluation Document (P.E.D.), drawing No. **15-052**. Maximum Anchor Spacing shall be as indicated on sheets 2 and 3 of 19 of Product Evaluation Document (P.E.D.), drawing No. **15-052**.

5. INSTALLATION:

Shall be performed strictly in accordance with the details indicated on sheets 2 thru 19 of Product Evaluation Document (P.E.D.), drawing No. **15-052**.

6. MATERIAL CHARACTERISTICS AND SPECIFICATIONS:

Shall be strictly in accordance with General Notes and Components indicated on sheets 1, and 19 of 19 of Product Evaluation Document (P.E.D.), drawing No. **15-052**. Anchor specifications shall be as indicated on sheet 17 of 19 of Product Evaluation Document (P.E.D.), drawing No. **15-052**.



7. LIMITATIONS AND CONDITIONS OF USE:

7.1. Shall be strictly in compliance with General Notes No. 1, 3, 8, 9, 11 and 12, indicated on sheet 1 of 19, of Product Evaluation Document (P.E.D.), drawing No. **15-052** prepared by Tilteco, Inc. and signed and sealed by Walter A. Tillit, Jr., P.E.

7.2. Product **may be** installed within HIGH VELOCITY HURRICANE ZONES as defined on section 1620.2 of the Florida Building Code, or outside of HIGH VELOCITY HURRICANE ZONES.

7.3. Product **shall only be** installed into poured concrete, grouted concrete block wood and frame structures, as limited and defined on Product Evaluation Document No. **15-052**.

Product Evaluation Report prepared by Walter A. Tillit, Jr., P.E. (Florida License No. 44167), President of Tilteco, Inc. (Florida EB-0006719).

